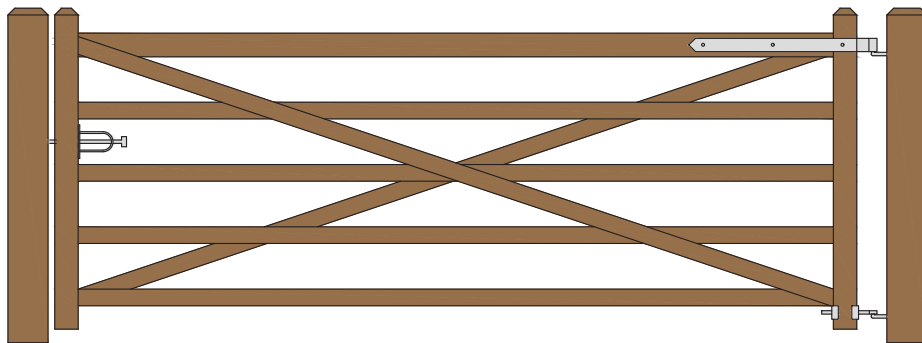




X RAIL GATE PLAN

Single Gate Configuration

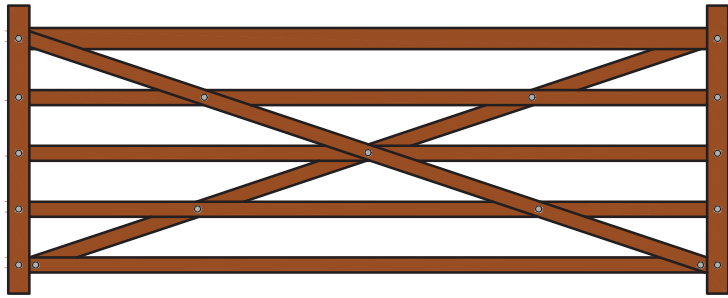
10' wide by 48" tall gate - hung between the posts - using Central Eye Hinges (Product Code #8312).



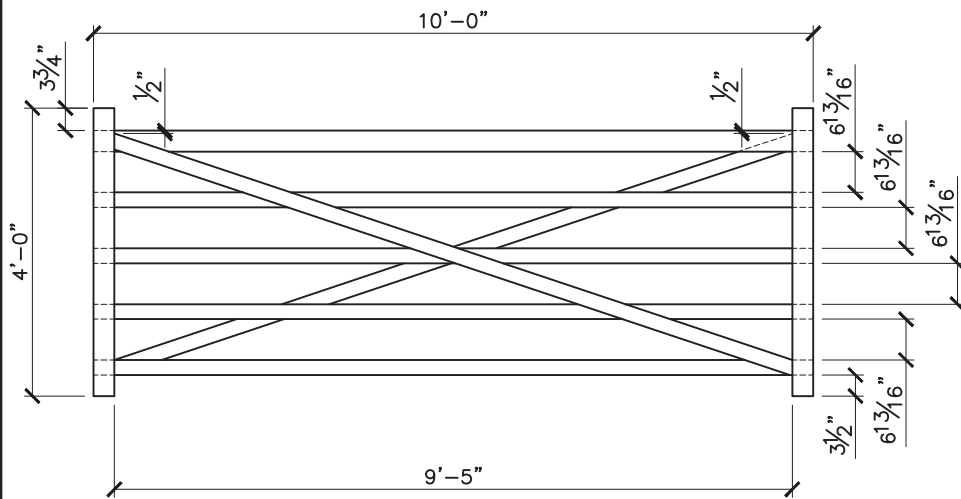
Distance between latch post and gate	A
Width of Gate	B
Distance between gate and hinge post	C
Total distance between posts	D

HARDWARE REQUIRED						
Finish Options Available	Galvanized Finish	Black Powder Coat over Galvanized Finish	Central Eye Hinge Advantages Opens both ways 100 degrees. Incredible amount of adjustment. Easy operation. Very strong.			
Plan Specified Hinge Set						
Each Set Includes: (All fasteners are included with hardware)	8312-S242	8312-S24P				
	one 24 inch double strap (8312-542 or 8312-54SP) one adjustable bottom gate fitting (8250-002 or 8250-00P) two 12" adjustable gate pins (8801-122 or 8801-12P)					
Latch Options			Dimensions (feet and inches)			
			A	B	C	D
Irish Gate Latch (shown)	8328-002	8328-00SP	1"	10'	4.5"	10' - 5.5"
Quick Catch	4100-3SS	4100-3BSS	1.5"	10'	4.5"	10' - 6"
Spring Latch	8327-002	8327-00P	4"	10'	4.5"	10' - 8.5"
Slide Bolt Latch	5002-L122	5002-L12SP	1"	10'	4.5"	10' - 5.5"
Optional Gate Holdback			A means of keeping gate open			
Heavy Duty Cabin Hook	4270-122	4270-12SP				
Lumber Required			Rails, Stiles (uprights) and Diagonals made from full 1" thick by 5.5" wide lumber (commonly sold as decking lumber) or 1" rough cut lumber (4/4).			
Posts	2 of 8' x 6" x 6" (usually dressed out at 5.5" x 5.5")					
Rails	5 of 10' x 1" x 5.5"					
Stiles	2 of 8' x 1" x 5.5"					
Diagonals	1 of 12' x 1" x 5.5"					
Filler Blocks	use off cuts from above					
Fasteners Required for Gate Construction						
FP-X Rail- Fastener Pack for "X" Rail Gate Build (Includes 40 of 1.75" wood screws, 16 of 3.5" and 6 of 2.5" HDG carriage bolts, nuts and washers)						

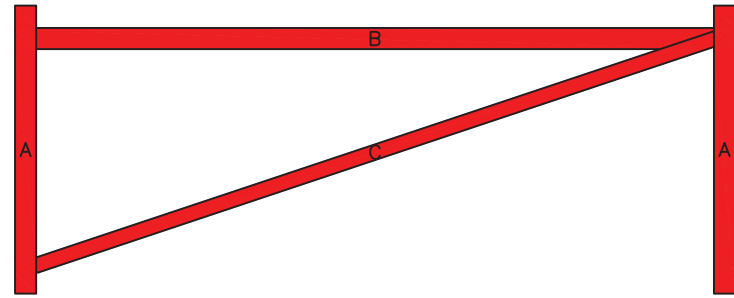
Download includes this materials list, component cutting and layout sheet.
 For a complete listing of our Free Gate Plans, please visit snugcottagehardware.com



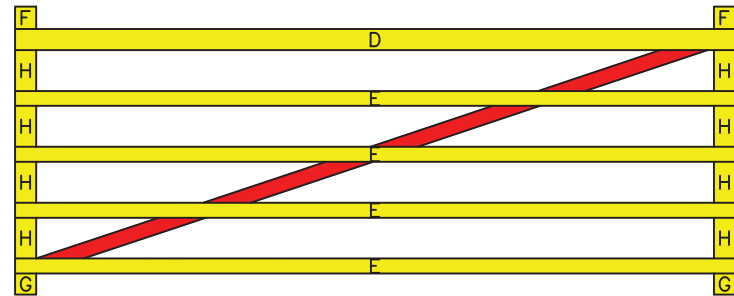
10' 'X' RAIL GATE



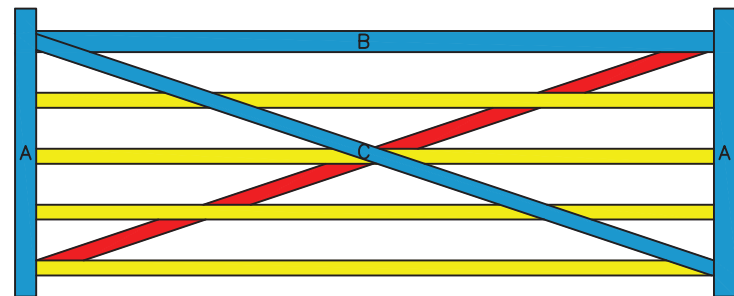
GATE DIMENSIONS



FIRST LAYER



SECOND LAYER



THIRD LAYER

BUILDING STEPS

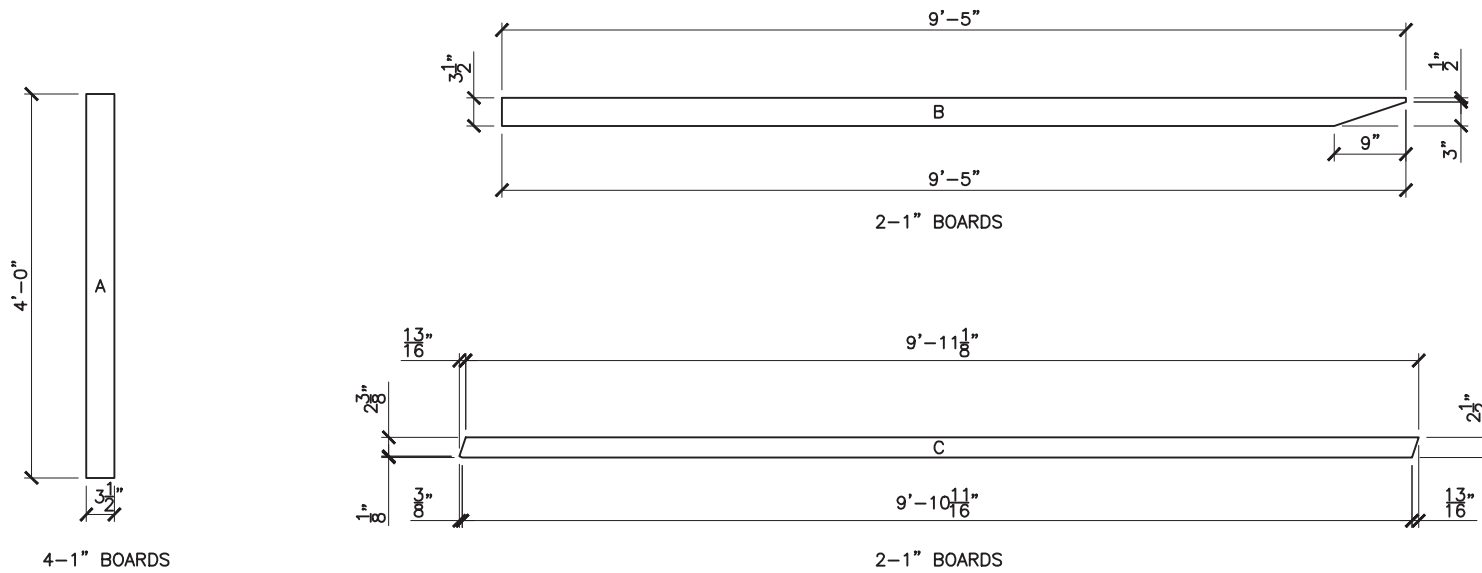
PROPERTY OF:



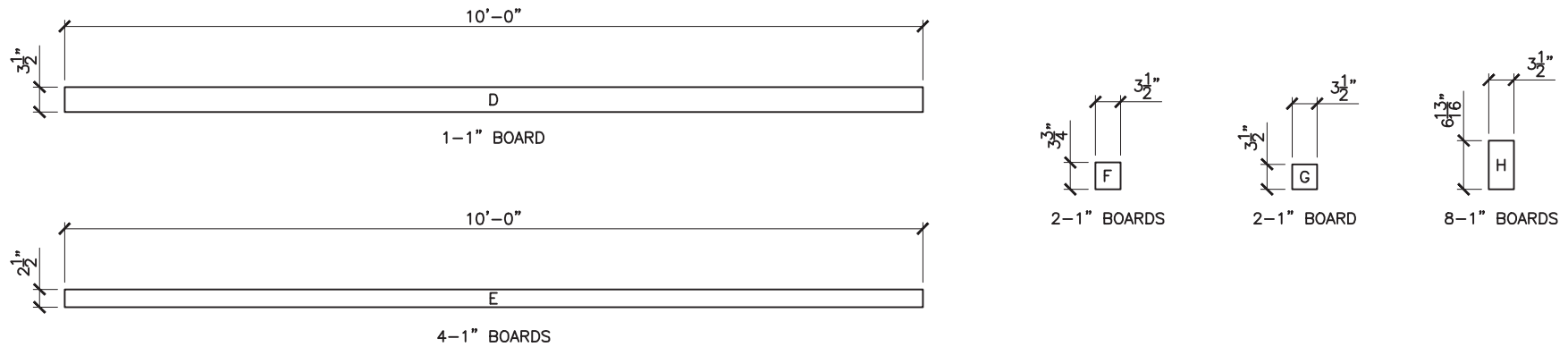
PRODUCT DESCRIPTION:

10' 'X' RAIL GATE

ALL DIMENSIONS $\pm 0.125"$



FIRST AND THIRD LAYER COMPONENTS



SECOND LAYER COMPONENTS

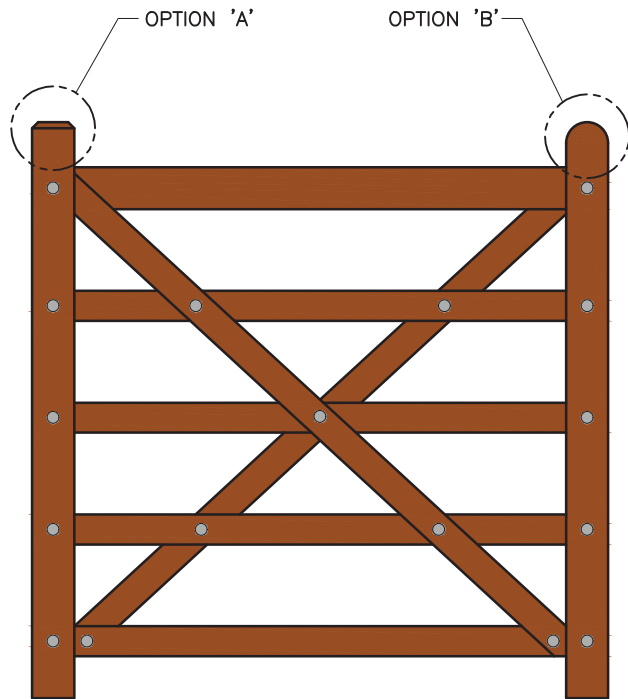
PROPERTY OF:



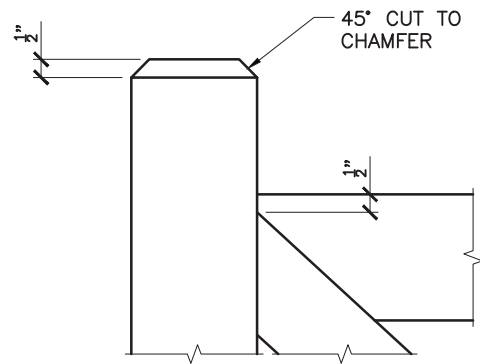
PRODUCT DESCRIPTION:

10' 'X' RAIL GATE COMPONENTS

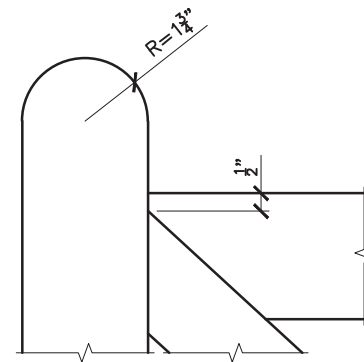
ALL DIMENSIONS ±0.125"



4' 'X' RAIL GATE



OPTION 'A'



OPTION 'B'

PROPERTY OF:



PRODUCT DESCRIPTION:

TOP RAIL AND STILE DETAIL

ALL DIMENSIONS ± 0.125 "